



Arculus Linear Recessed Tuneable White



Secure Healthcare

Arculus Linear Recessed Tuneable White is a ligature resistant luminaire specifically designed for challenging environments such as secure healthcare facilities.

Standard Colours



Product Information

Arculus Linear Recessed Tuneable White can adjust colour temperatures to help influence our wellbeing and replicate our natural circadian rhythm. Cool colour temperatures can boost activity whilst warm colour temperatures can aid relaxation. The opal diffuser provides a soft lit appearance and the discreet side mounted fixing ensures a clean, unobtrusive aesthetic.

Arculus Linear Recessed Tuneable White is designed to meet the requirements of “Design in Mental Health Network’s (DiMHN) Testing Guidance for Products in Mental Health Facilities” rating LIG5-5, with a ligature resistant design to help prevent self-harming. It is designed to be disassembled and reinstated to ensure maintenance can be undertaken quickly and easily after anti-pick mastic application.

Applications include therapy rooms, communal areas, exercise areas and nurses stations.

This luminaire is designed for longevity and sustainability and adheres to our circular design principles. We conduct a circular economy assessment using [TM66](#) and measure embodied carbon (kgCO₂e) in accordance with [TM65.2](#).

Impact Resistance Rating: IK16 (150J). [What is IK Rating?](#)

Ingress Protection Rating: IP65 (from below only). [What is IP Rating?](#)

Housing: Zinc coated steel body and frame.

Paint: Polyester powder coat. [All Colour Options Available Here.](#)

Diffuser: Flush opal polycarbonate diffuser in frame with side mounted tamperproof fixings.

Driver: Electronic control gear on a removable tray for ease of repair/upgrade with fused plug & socket connector block. DALI (Device type 8) driver as standard. Controlled by DALI control system (additional control devices required).

Mounting: Ceiling, recessed.

Cable Entry: Provision for cable entry in back.

Design Life: 30+ years. [What is Design Life?](#)

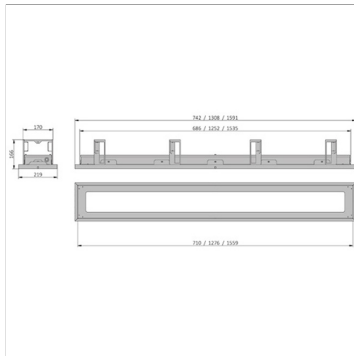
■ **Technical Information**

ArculusLinearRecessedTuneableWhite	Output (Lum/Im)	Load (W)	Efficacy (lm/W)	CCT (K)
L742mm				
ARL-2-2900T-MW-R-DA	3008 @4000K	26.4	114	2700-6500
	Weight (kg)	CRI	High Temp (°C)	LED Lifetime
	7.1	CRI>80	-	L ₈₀ B ₁₀₀ >72,000h
	Driver lifetime (up to hours)	LED Energy Rating	Emergency Output (Lum/Im)	Nightlight Output (Lum/Im)
	100,000	C	-	510
	Dimensions			
	219mm x 166mm			
L1308mm				
ARL-4-5800T-MW-R-DA	5964 @4000K	49.6	120	2700-6500
	Weight (kg)	CRI	High Temp (°C)	LED Lifetime
	11.6	CRI>80	-	L ₈₀ B ₁₀₀ >72,000h
	Driver lifetime (up to hours)	LED Energy Rating	Emergency Output (Lum/Im)	Nightlight Output (Lum/Im)
	100,000	C	-	502
	Dimensions			
	219mm x 166mm			
L1591mm				
ARL-5-7100T-MW-R-DA	7294 @4000K	59.3	123	2700-6500
	Weight (kg)	CRI	High Temp (°C)	LED Lifetime
	13	CRI>80	-	L ₈₀ B ₁₀₀ >72,000h
	Driver lifetime (up to hours)	LED Energy Rating	Emergency Output (Lum/Im)	Nightlight Output (Lum/Im)
	100,000	C	-	498
	Dimensions			
	219mm x 166mm			

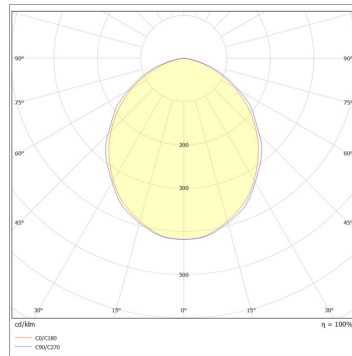
Fitting Options

Night Light	-NL
DALI-2 Dimming / Monitoring	-DA
Emergency Lithium	-EL
Emergency Lithium, Self Test	-EJ
Emergency Lithium DALI	-EK
Matt White	-MW
Matt Titanium	-MT
Casambi Node	-DW

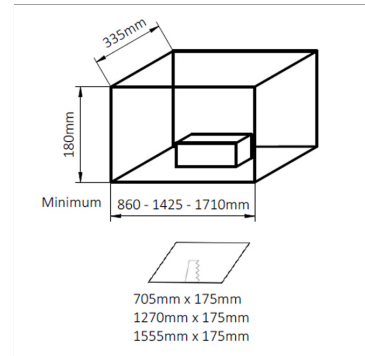
- For paint colour options, please replace -MW with required paint code.
- For Casambi Node version, replace -DA with -DW.
- For Casambi User interface (White), order code CAUI-W.
- For Casambi User interface (Black), order code CAUI-B.



Arculus Linear Recessed Tuneable White
Drawing



Arculus Linear Recessed Tuneable White
Polar Curve



Arculus Linear Recessed Tuneable White
Minimum Ceiling Void and Ceiling Cut-out



Casambi User Interface (White). For Casambi
User Interface (White), order code CAUI-W.
For Casambi User Interface (Black), order
code CAUI-B.