



Arculus Linear Recessed

IP65

IK16 (150J)

Linear

Class I

Recessed

TM65/66

Secure Healthcare

Arculus Linear Recessed is a ligature resistant luminaire specifically designed for challenging environments such as secure healthcare facilities.

Standard Colours

Matt White

Matt Titanium

Product Information

Arculus Linear Recessed's opal diffuser provides a soft lit appearance, while providing a functional light for tasks. The discreet side mounted fixing ensures a clean, unobtrusive aesthetic.

Arculus Linear Recessed is designed to meet the requirements of "Design in Mental Health Network's (DiMHN) Testing Guidance for Products in Mental Health Facilities" rating LIG5-5, with a ligature resistant design to help prevent self-harming. It is designed to be disassembled and reinstated to ensure maintenance can be undertaken quickly and easily after anti-pick mastic application.

Secure health applications include corridors and circulation spaces, therapy rooms, communal and exercise areas. Custodial applications include video conferencing, ancillary areas and educational environments.

This luminaire is designed for longevity and sustainability and adheres to our circular design principles. We conduct a circular economy assessment using [TM66](#) and measure embodied carbon (kgCO₂e) in accordance with [TM65.2](#).

Impact Resistance Rating: IK16 (150J). [What is IK Rating?](#)

Ingress Protection Rating: IP65 (from below only). [What is IP Rating?](#)

Housing: Zinc coated steel body and frame.

Paint: Polyester powder coat. [All Colour Options Available Here.](#)

Diffuser: Flush opal polycarbonate diffuser in frame with side mounted tamperproof fixings.

Driver: Electronic control gear on a removable tray for ease of repair/upgrade with fused plug & socket connector block.

Mounting: Ceiling, recessed.

Cable Entry: Provision for cable entry in back.

Design Life: 30+ years. [What is Design Life?](#)

■ **Technical Information**

ArculusLinearRecessed	Output (Lum/lm)	Load (W)	Efficacy (lm/W)	CCT (K)
L742mm				
ARL-2-1600W-MW-R	1626	12.9	126	3000
	Weight (kg)	CRI	High Temp (°C)	LED Lifetime
	7.1	CRI>80	-	L80B10>72,000h
	Driver lifetime (up to hours)	LED Energy Rating	Emergency Output (Lum/lm)	Nightlight Output (Lum/lm)
	100,000	C	694	510
	Dimensions			
	219mm x 166mm			
ARL-2-2900W-MW-R	2938	22.3	132	3000
	Weight (kg)	CRI	High Temp (°C)	LED Lifetime
	7.1	CRI>80	-	L80B10>72,000h
	Driver lifetime (up to hours)	LED Energy Rating	Emergency Output (Lum/lm)	Nightlight Output (Lum/lm)
	100,000	C	694	510
	Dimensions			
	219mm x 166mm			
ARL-2-1700N-MW-R	1703	12.9	132	4000
	Weight (kg)	CRI	High Temp (°C)	LED Lifetime
	7.1	CRI>80	-	L80B10>72,000h
	Driver lifetime (up to hours)	LED Energy Rating	Emergency Output (Lum/lm)	Nightlight Output (Lum/lm)
	100,000	B	731	510
	Dimensions			
	219mm x 166mm			
ARL-2-3100N-MW-R	3073	22.3	138	4000
	Weight (kg)	CRI	High Temp (°C)	LED Lifetime
	7.1	CRI>80	-	L80B10>72,000h
	Driver lifetime (up to hours)	LED Energy Rating	Emergency Output (Lum/lm)	Nightlight Output (Lum/lm)
	100,000	B	731	510
	Dimensions			
	219mm x 166mm			
L1308mm				
ARL-4-2700W-MW-R	2686	20.6	131	3000
	Weight (kg)	CRI	High Temp (°C)	LED Lifetime
	11.6	CRI>80	-	L80B10>72,000h
	Driver lifetime (up to hours)	LED Energy Rating	Emergency Output (Lum/lm)	Nightlight Output (Lum/lm)
	100,000	C	713	502
	Dimensions			
	219mm x 166mm			

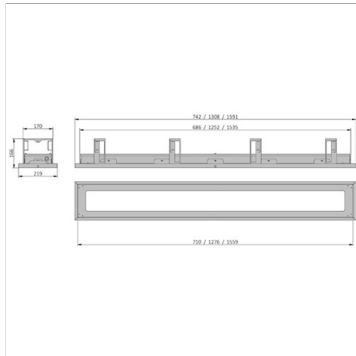
ArculusLinearRecessed	Output (Lum/lm)	Load (W)	Efficacy (lm/W)	CCT (K)
L1308mm				
ARL-4-5300W-MW-R	5347	39.4	136	3000
	Weight (kg)	CRI	High Temp (°C)	LED Lifetime
	11.6	CRI>80	-	L80B10>72,000h
	Driver lifetime (up to hours)	LED Energy Rating	Emergency Output (Lum/lm)	Nightlight Output (Lum/lm)
	100,000	C	713	502
	Dimensions			
	219mm x 166mm			
ARL-4-2700N-MW-R	2725	20.6	133	4000
	Weight (kg)	CRI	High Temp (°C)	LED Lifetime
	11.6	CRI>80	-	L80B10>72,000h
	Driver lifetime (up to hours)	LED Energy Rating	Emergency Output (Lum/lm)	Nightlight Output (Lum/lm)
	100,000	B	750	502
	Dimensions			
	219mm x 166mm			
ARL-4-5500N-MW-R	5540	39.3	141	4000
	Weight (kg)	CRI	High Temp (°C)	LED Lifetime
	11.6	CRI>80	-	L80B10>72,000h
	Driver lifetime (up to hours)	LED Energy Rating	Emergency Output (Lum/lm)	Nightlight Output (Lum/lm)
	100,000	B	750	502
	Dimensions			
	219mm x 166mm			
L1591mm				
ARL-5-3100W-MW-R	3110	22.5	138	3000
	Weight (kg)	CRI	High Temp (°C)	LED Lifetime
	13	CRI>80	-	L80B10>72,000h
	Driver lifetime (up to hours)	LED Energy Rating	Emergency Output (Lum/lm)	Nightlight Output (Lum/lm)
	100,000	C	697	498
	Dimensions			
	219mm x 166mm			
ARL-5-7100W-MW-R	7063	51.3	138	3000
	Weight (kg)	CRI	High Temp (°C)	LED Lifetime
	13	CRI>80	-	L80B10>72,000h
	Driver lifetime (up to hours)	LED Energy Rating	Emergency Output (Lum/lm)	Nightlight Output (Lum/lm)
	100,000	C	697	498
	Dimensions			
	219mm x 166mm			

ArculusLinearRecessed	Output (Lum/lm)	Load (W)	Efficacy (lm/W)	CCT (K)
L1591mm				
ARL-5-3200N-MW-R	3230	22.5	144	4000
	Weight (kg)	CRI	High Temp (°C)	LED Lifetime
	13	CRI>80	-	L80B10>72,000h
	Driver lifetime (up to hours)	LED Energy Rating	Emergency Output (Lum/lm)	Nightlight Output (Lum/lm)
	100,000	B	734	498
	Dimensions			
	219mm x 166mm			
ARL-5-7400N-MW-R	7368	51.3	144	4000
	Weight (kg)	CRI	High Temp (°C)	LED Lifetime
	13	CRI>80	-	L80B10>72,000h
	Driver lifetime (up to hours)	LED Energy Rating	Emergency Output (Lum/lm)	Nightlight Output (Lum/lm)
	100,000	B	734	498
	Dimensions			
	219mm x 166mm			

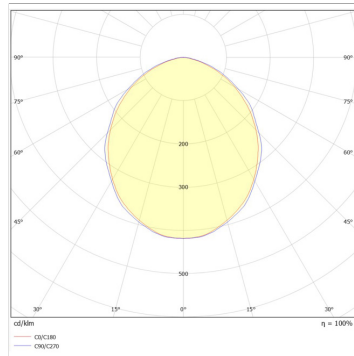
■ Fitting Options

Night Light	-NL
Microwave Sensor - Basic	-M1
Microwave Sensor - Advanced	-M2
DALI with **% Pre-set	-D
Maintained Emergency 3 Hour, Self Test	-ES
Maintained Emergency 3 Hour, DALI	-ED
Maintained Emergency 3 Hour	-E3
Matt White	-MW
Matt Titanium	-MT
Casambi Wireless Node	-DW
DALI-2 Dimming / Monitoring	-DA
Corridor Function	-CF

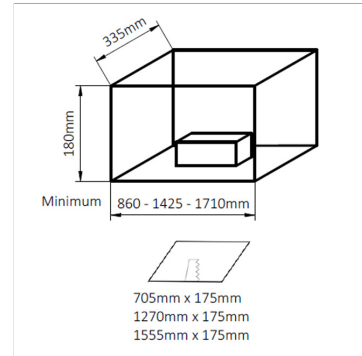
- For paint colour options, please replace -MW with required paint code.
- -CF will only work if combined with -M1 or -M2, or an external presence detection sensor supplied by others.
- -DA/ -DW and -M1 / -M2 options cannot be combined.
- For night light LED energy efficiency class E, LED Lifetime $L_{70B_{10}} > 100,000h$ at 25 °C ambient and Driver Lifetime up to 100,000h at 25 °C ambient.



Arculus Linear Recessed Drawing



Arculus Linear Recessed Polar Curve



Arculus Linear Recessed Minimum Ceiling Void and Ceiling Cut-out