



## Tuscan 88

IP65

IK16 (150J)

Linear

Class I

Recessed

Surface

Community and Public

Custodial

Tuscan 88 is a vandal resistant luminaire specifically designed for challenging environments. Such as custodial facilities, transport applications and community and public installations.

Standard Colours

Textured Black

Textured White

Matt Titanium

### Product Information

Tuscan 88's opal diffuser provides a soft lit appearance, while providing uniform illumination, ensuring a consistent light distribution. Incorporating a removable gear tray ensures Tuscan 88 is quick and easy to maintain, whilst enabling sustainable technology upgrades.

Community and Public applications include subways, car parks, and the perimeter of buildings. Custodial applications include police stations, law courts and association areas. Transport applications include covered platforms, general circulation, back of house, stairs and footbridges.

This luminaire is designed for longevity and sustainability and adheres to our circular design principles. We conduct a circular economy assessment using [TM66](#) and measure embodied carbon (kgCO<sub>2</sub>e) in accordance with [TM65.2](#).

**Impact Resistance Rating:** IK16 (150J). [What is IK Rating?](#)

**Ingress Protection Rating:** IP65. [What is IP Rating?](#)

**Housing:** Zinc coated steel body.

**Paint:** Polyester powder coat. [All Colour Options Available Here.](#)

**Diffuser:** Opal polycarbonate diffuser in frame secured with tamperproof screws.

**Driver:** Electronic control gear on removable tray for ease of repair/upgrade with fused plug & socket connector block.

**Mounting:** Wall or ceiling. (Recessed option, ceiling only)

**Cable Entry:** Provision for conduit entry in back and ends. (N/A for Network Rail options)

**Design Life:** 30+ years. [What is Design Life?](#)

▪ **Technical Information**

Tuscan88	Output (Lum/lm)	Load (W)	Efficacy (lm/W)	CCT (K)
<b>L700mm</b>				
D880-2-1500N-X-TB	1377	15.6	88	4000
	<b>Weight (kg)</b>	<b>CRI</b>	<b>High Temp (°C)</b>	<b>LED Lifetime</b>
	5.7	CRI>80	-	L70000>110,000h
	<b>Driver lifetime (up to hours)</b>	<b>LED Energy Rating</b>	<b>Emergency Output (Lum/lm)</b>	<b>Nightlight Output (Lum/lm)</b>
	100,000	C	457	-
	<b>Dimensions</b>			
	200mm x 102mm			
D880-2-2000N-X-TB	1801	20.8	87	4000
	<b>Weight (kg)</b>	<b>CRI</b>	<b>High Temp (°C)</b>	<b>LED Lifetime</b>
	5.7	CRI>80	-	L70000>110,000h
	<b>Driver lifetime (up to hours)</b>	<b>LED Energy Rating</b>	<b>Emergency Output (Lum/lm)</b>	<b>Nightlight Output (Lum/lm)</b>
	100,000	C	457	-
	<b>Dimensions</b>			
	200mm x 102mm			
D880-2-2500N-X-TB	2297	26.8	86	4000
	<b>Weight (kg)</b>	<b>CRI</b>	<b>High Temp (°C)</b>	<b>LED Lifetime</b>
	5.7	CRI>80	-	L70000>110,000h
	<b>Driver lifetime (up to hours)</b>	<b>LED Energy Rating</b>	<b>Emergency Output (Lum/lm)</b>	<b>Nightlight Output (Lum/lm)</b>
	100,000	C	457	-
	<b>Dimensions</b>			
	200mm x 102mm			
D880-2-3000N-X-TB	2567	30.8	83	4000
	<b>Weight (kg)</b>	<b>CRI</b>	<b>High Temp (°C)</b>	<b>LED Lifetime</b>
	5.7	CRI>80	-	L70000>110,000h
	<b>Driver lifetime (up to hours)</b>	<b>LED Energy Rating</b>	<b>Emergency Output (Lum/lm)</b>	<b>Nightlight Output (Lum/lm)</b>
	100,000	C	457	-
	<b>Dimensions</b>			
	200mm x 102mm			
D880-2-1500W-X-TB	1308	15.6	84	3000
	<b>Weight (kg)</b>	<b>CRI</b>	<b>High Temp (°C)</b>	<b>LED Lifetime</b>
	5.7	CRI>80	-	L70000>100,000h
	<b>Driver lifetime (up to hours)</b>	<b>LED Energy Rating</b>	<b>Emergency Output (Lum/lm)</b>	<b>Nightlight Output (Lum/lm)</b>
	100,000	D	434	-
	<b>Dimensions</b>			
	200mm x 102mm			

Tuscan88	Output (Lum/m)	Load (W)	Efficacy (lm/W)	CCT (K)
<b>L700mm</b>				
D880-2-2000W-X-TB	1711	20.8	83	3000
	<b>Weight (kg)</b>	<b>CRI</b>	<b>High Temp (°C)</b>	<b>LED Lifetime</b>
	5.7	CRI>80	-	L70B100>100,000h
	<b>Driver lifetime (up to hours)</b>	<b>LED Energy Rating</b>	<b>Emergency Output (Lum/m)</b>	<b>Nightlight Output (Lum/m)</b>
	100,000	D	434	-
	<b>Dimensions</b>			
	200mm x 102mm			
D880-2-2500W-X-TB	2182	26.8	81	3000
	<b>Weight (kg)</b>	<b>CRI</b>	<b>High Temp (°C)</b>	<b>LED Lifetime</b>
	5.7	CRI>80	-	L70B100>100,000h
	<b>Driver lifetime (up to hours)</b>	<b>LED Energy Rating</b>	<b>Emergency Output (Lum/m)</b>	<b>Nightlight Output (Lum/m)</b>
	100,000	D	434	-
	<b>Dimensions</b>			
	200mm x 102mm			
D880-2-3000W-X-TB	2439	30.8	79	3000
	<b>Weight (kg)</b>	<b>CRI</b>	<b>High Temp (°C)</b>	<b>LED Lifetime</b>
	5.7	CRI>80	-	L70B100>100,000h
	<b>Driver lifetime (up to hours)</b>	<b>LED Energy Rating</b>	<b>Emergency Output (Lum/m)</b>	<b>Nightlight Output (Lum/m)</b>
	100,000	D	434	-
	<b>Dimensions</b>			
	200mm x 102mm			
<b>L1300mm</b>				
D880-4-3000N-X-TB	2804	28.4	99	4000
	<b>Weight (kg)</b>	<b>CRI</b>	<b>High Temp (°C)</b>	<b>LED Lifetime</b>
	9.5	CRI>80	-	L70B100>110,000h
	<b>Driver lifetime (up to hours)</b>	<b>LED Energy Rating</b>	<b>Emergency Output (Lum/m)</b>	<b>Nightlight Output (Lum/m)</b>
	100,000	C	638	-
	<b>Dimensions</b>			
	200mm x 102mm			
D880-4-4000N-X-TB	3718	38.8	96	4000
	<b>Weight (kg)</b>	<b>CRI</b>	<b>High Temp (°C)</b>	<b>LED Lifetime</b>
	9.5	CRI>80	-	L70B100>110,000h
	<b>Driver lifetime (up to hours)</b>	<b>LED Energy Rating</b>	<b>Emergency Output (Lum/m)</b>	<b>Nightlight Output (Lum/m)</b>
	100,000	C	638	-
	<b>Dimensions</b>			
	200mm x 102mm			

Tuscan88	Output (Lum/lm)	Load (W)	Efficacy (lm/W)	CCT (K)
<b>L1300mm</b>				
D880-4-5000N-X-TB	4616	50.3	92	4000
	<b>Weight (kg)</b>	<b>CRI</b>	<b>High Temp (°C)</b>	<b>LED Lifetime</b>
	9.5	CRI>80	-	L70B10>110,000h
	<b>Driver lifetime (up to hours)</b>	<b>LED Energy Rating</b>	<b>Emergency Output (Lum/lm)</b>	<b>Nightlight Output (Lum/lm)</b>
	100,000	C	638	-
	<b>Dimensions</b>			
	200mm x 102mm			
D880-4-6000N-X-TB	5298	58.4	91	4000
	<b>Weight (kg)</b>	<b>CRI</b>	<b>High Temp (°C)</b>	<b>LED Lifetime</b>
	9.5	CRI>80	-	L70B10>110,000h
	<b>Driver lifetime (up to hours)</b>	<b>LED Energy Rating</b>	<b>Emergency Output (Lum/lm)</b>	<b>Nightlight Output (Lum/lm)</b>
	100,000	C	638	-
	<b>Dimensions</b>			
	200mm x 102mm			
D880-4-3000W-X-TB	2664	28.4	94	3000
	<b>Weight (kg)</b>	<b>CRI</b>	<b>High Temp (°C)</b>	<b>LED Lifetime</b>
	9.5	CRI>80	-	L70B10>100,000h
	<b>Driver lifetime (up to hours)</b>	<b>LED Energy Rating</b>	<b>Emergency Output (Lum/lm)</b>	<b>Nightlight Output (Lum/lm)</b>
	100,000	D	606	-
	<b>Dimensions</b>			
	200mm x 102mm			
D880-4-4000W-X-TB	3532	38.8	91	3000
	<b>Weight (kg)</b>	<b>CRI</b>	<b>High Temp (°C)</b>	<b>LED Lifetime</b>
	9.5	CRI>80	-	L70B10>100,000h
	<b>Driver lifetime (up to hours)</b>	<b>LED Energy Rating</b>	<b>Emergency Output (Lum/lm)</b>	<b>Nightlight Output (Lum/lm)</b>
	100,000	D	606	-
	<b>Dimensions</b>			
	200mm x 102mm			
D880-4-5000W-X-TB	4385	50.3	87	3000
	<b>Weight (kg)</b>	<b>CRI</b>	<b>High Temp (°C)</b>	<b>LED Lifetime</b>
	9.5	CRI>80	-	L70B10>100,000h
	<b>Driver lifetime (up to hours)</b>	<b>LED Energy Rating</b>	<b>Emergency Output (Lum/lm)</b>	<b>Nightlight Output (Lum/lm)</b>
	100,000	D	606	-
	<b>Dimensions</b>			
	200mm x 102mm			

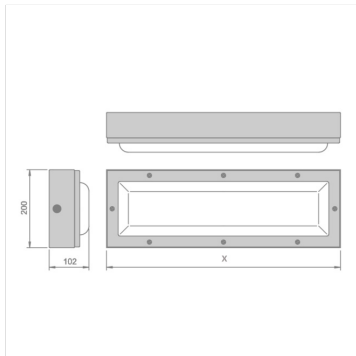
Tuscan88	Output (Lum/lm)	Load (W)	Efficacy (lm/W)	CCT (K)
<b>L1300mm</b>				
D880-4-6000W-X-TB	5033	58.4	86	3000
	<b>Weight (kg)</b>	<b>CRI</b>	<b>High Temp (°C)</b>	<b>LED Lifetime</b>
	9.5	CRI>80	-	L70B10>100,000h
	<b>Driver lifetime (up to hours)</b>	<b>LED Energy Rating</b>	<b>Emergency Output (Lum/lm)</b>	<b>Nightlight Output (Lum/lm)</b>
	100,000	D	606	-
	<b>Dimensions</b>			
	200mm x 102mm			
<b>L1600mm</b>				
D880-5-3750N-X-TB	3565	34.8	102	4000
	<b>Weight (kg)</b>	<b>CRI</b>	<b>High Temp (°C)</b>	<b>LED Lifetime</b>
	11.5	CRI>80	-	L70B10>110,000h
	<b>Driver lifetime (up to hours)</b>	<b>LED Energy Rating</b>	<b>Emergency Output (Lum/lm)</b>	<b>Nightlight Output (Lum/lm)</b>
	100,000	C	664	-
	<b>Dimensions</b>			
	200mm x 102mm			
D880-5-5000N-X-TB	4681	47.6	98	4000
	<b>Weight (kg)</b>	<b>CRI</b>	<b>High Temp (°C)</b>	<b>LED Lifetime</b>
	11.5	CRI>80	-	L70B10>110,000h
	<b>Driver lifetime (up to hours)</b>	<b>LED Energy Rating</b>	<b>Emergency Output (Lum/lm)</b>	<b>Nightlight Output (Lum/lm)</b>
	100,000	C	664	-
	<b>Dimensions</b>			
	200mm x 102mm			
D880-5-6250N-X-TB	5860	62.5	94	4000
	<b>Weight (kg)</b>	<b>CRI</b>	<b>High Temp (°C)</b>	<b>LED Lifetime</b>
	11.5	CRI>80	-	L70B10>110,000h
	<b>Driver lifetime (up to hours)</b>	<b>LED Energy Rating</b>	<b>Emergency Output (Lum/lm)</b>	<b>Nightlight Output (Lum/lm)</b>
	100,000	C	664	-
	<b>Dimensions</b>			
	200mm x 102mm			
D880-5-7500N-X-TB	6520	72.1	90	4000
	<b>Weight (kg)</b>	<b>CRI</b>	<b>High Temp (°C)</b>	<b>LED Lifetime</b>
	11.5	CRI>80	-	L70B10>110,000h
	<b>Driver lifetime (up to hours)</b>	<b>LED Energy Rating</b>	<b>Emergency Output (Lum/lm)</b>	<b>Nightlight Output (Lum/lm)</b>
	100,000	C	664	-
	<b>Dimensions</b>			
	200mm x 102mm			

Tuscan88	Output (Lum/lm)	Load (W)	Efficacy (lm/W)	CCT (K)
<b>L1600mm</b>				
D880-5-3750W-X-TB	3387	34.8	97	3000
	<b>Weight (kg)</b>	<b>CRI</b>	<b>High Temp (°C)</b>	<b>LED Lifetime</b>
	11.5	CRI>80	-	L70B10>100,000h
	<b>Driver lifetime (up to hours)</b>	<b>LED Energy Rating</b>	<b>Emergency Output (Lum/lm)</b>	<b>Nightlight Output (Lum/lm)</b>
	100,000	D	630	-
	<b>Dimensions</b>			
	200mm x 102mm			
D880-5-5000W-X-TB	4447	47.6	93	3000
	<b>Weight (kg)</b>	<b>CRI</b>	<b>High Temp (°C)</b>	<b>LED Lifetime</b>
	11.5	CRI>80	-	L70B10>100,000h
	<b>Driver lifetime (up to hours)</b>	<b>LED Energy Rating</b>	<b>Emergency Output (Lum/lm)</b>	<b>Nightlight Output (Lum/lm)</b>
	100,000	D	630	-
	<b>Dimensions</b>			
	200mm x 102mm			
D880-5-6250W-X-TB	5567	62.5	89	3000
	<b>Weight (kg)</b>	<b>CRI</b>	<b>High Temp (°C)</b>	<b>LED Lifetime</b>
	11.5	CRI>80	-	L70B10>100,000h
	<b>Driver lifetime (up to hours)</b>	<b>LED Energy Rating</b>	<b>Emergency Output (Lum/lm)</b>	<b>Nightlight Output (Lum/lm)</b>
	100,000	D	630	-
	<b>Dimensions</b>			
	200mm x 102mm			
D880-5-7500W-X-TB	6194	72.1	86	3000
	<b>Weight (kg)</b>	<b>CRI</b>	<b>High Temp (°C)</b>	<b>LED Lifetime</b>
	11.5	CRI>80	-	L70B10>100,000h
	<b>Driver lifetime (up to hours)</b>	<b>LED Energy Rating</b>	<b>Emergency Output (Lum/lm)</b>	<b>Nightlight Output (Lum/lm)</b>
	100,000	D	630	-
	<b>Dimensions</b>			
	200mm x 102mm			

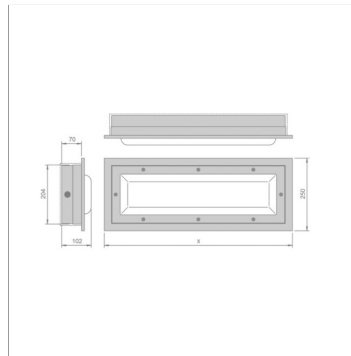
## ■ Fitting Options

Anti-Graffiti Diffuser Coating	-AG
Coastal Paint Finish (Zone 2)	-Z2
Network Rail Specs	-NT
Blank Ends	-BE
Fully Recessed	-R
DALI with **% Pre-set	-D
Maintained Emergency 3 Hour, Self Test	-ES
Change Over Relay, 240V Relay Supplied	-ER
Central Battery Maintained 110V	-EV
Maintained Emergency 3 Hour, DALI	-ED
Maintained Emergency 3 Hour	-E3
Textured Black	-TB
Textured White	-TW
Matt Titanium	-MT
Switch Dimming	-DI
DALI-2 Dimming / Monitoring	-DA

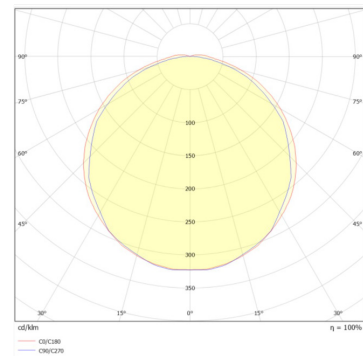
- For paint colour options, please replace -TB with required paint code.
- Emergency options (-E3/ -ES/ -ED/ -ER/ -EV) and Dimming options (-DA/ -DI) cannot be combined on all 700mm versions.



Tuscan 88 Surface Version



Tuscan 88 Recessed Version



Tuscan 88 Polar Curve